



# ExD Enclosures

## BC-EJB-Series



### Product Overview:

The BC-EJB-Series Explosionproof Junctionboxes are designed for oil and gas markets around the world. This Exd solution junctionboxes are lightweight in comparison with known brands due to some unique design features.

The (optional extra coated) Aluminium or 316L construction makes it a duly suited solution for all onshore and offshore environments. With stainless steel mounting hardware, extruded lid for more operative hardware, and long and short side available Hinges. The design options give more possibilities with regards of build in hardware and not off the shelf applications.

Flexible utilization of gland inputs in all sides including the lid, will make it possible to design almost any solution. Designing and assembling of the ExD junctionboxes will be done in-house by our certified partner.

Temperature ranges from -50 up to +55 °C are possible in combination with (I)IIB or (I)IIC gas groups.

The EJ-series can be ordered in any colour and with a number of other additional options.

### Product Features:

- ✓ Zone 1/21 and Zone 2/22 use
- ✓ ATEX/ IECEx for Gas and Dust
- ✓ IP66 protection
- ✓ Stainless Steel 316L construction.
- ✓ Aluminium construction with extra coating for offshore usage or Salt water environments.
- ✓ Wide range of size options
- ✓ Weight reduction
- ✓ Extruded lid
- ✓ IIB or IIC solutions
- ✓ Own in-house Design team incl. heat dissipation testing.
- ✓ Complete assembled with free issue electronic materials
- ✓ Short lead time
- ✓ -50 up to +55°C





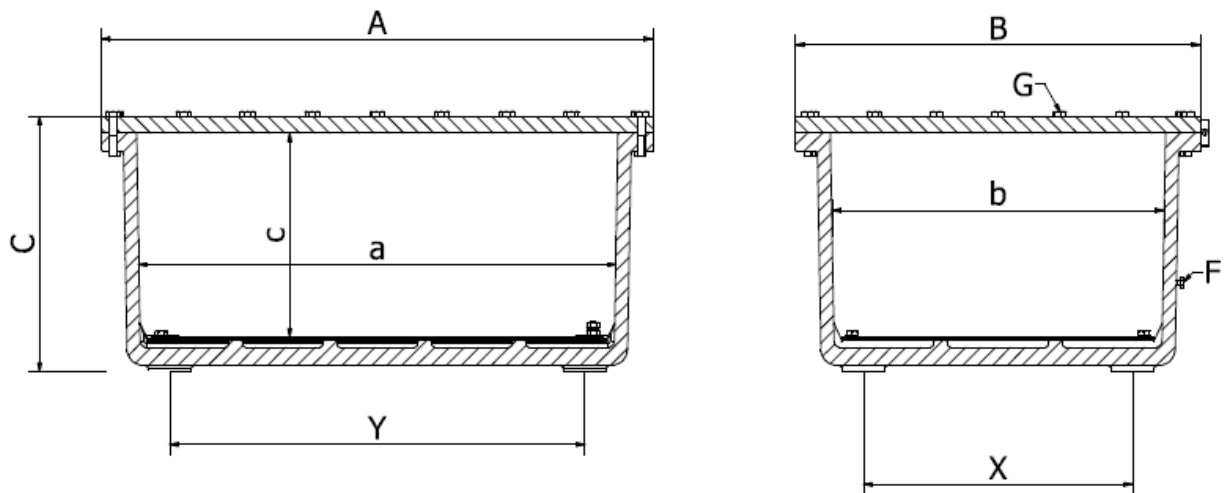
## Technical Specifications:

<b>Housing</b>	EJB-Serie
Application	Zones 1, 2, 21 and 22. Onshore, Offshore, Marine and Heavy Industrial ExdIIBT6Gb, Exd118T5Gb, ExdIIBT4Gb ExtbIIICT85°CDbIP66, ExtbIIICT100°CDbIP66, ExtbIIICT135°CDbIP66
ATEX/Iecex Certifications	Ex d [iaGa] 118T6 Gb Extb [iaDa] IIICT85°CDb IP66 Ex d IIB Gb Ex tb IIIC Db IP6
Iecex Certificate	INE13.0024,XandINE13.0031U
ATEX Certificate	12ATEX0081Xand 13ATEX9092U
Ingress Protection Rating	IP66
<b>Features</b>	
Entries long/short side	Max: 60/38 (EJB-H)
Wall Mounting	Yes
Internal Heater	Yes (per design)
Colour options	Standard RAL9002 polyurethane other colours are optional
<b>Electrical</b>	
Supply Voltage	Per Design
Power Consumption	Per Design
Internal Electrical Connections	Per Design
<b>Mechanical</b>	
Material	Electropolished 316L Stainless Steel or Aluminium coated
Fixing Materials	316L Stainless Steel
Operating Temperature	-50°C to +55°C. per Design
<b>Further Options</b>	
Enclosures / Control Panels	Power supply, fibre transmission, Media Conversion, Splice Trays or other Equipment to Specification per design





**GA:**



### Aluminium, general specifications:

Type	external dimensions			internal dimensions			mounting plate	weight KG	fixing dimensions		bolts	cover bolts	
	A	B	C	a	b	c			x	Y			F
<b>EJBA</b>	314	250	172,5	227,5	163,5	127	211	148	9,9	180	120	MS	M8 x 30
<b>EJBB</b>	423	247	229	341	167	187	321	146	15,4	290	128	MB	M8 x 30
<b>EJBC</b>	488	413	258,5	382	307	202	360	291	35	336	254	MB	M10x40
<b>EJBD</b>	530	490	258,5	420,5	380,5	202	394	358	41,4	360	320	MS	M10x40
<b>EJBE</b>	593	539	311	474	419	233	446	391	78,3	400	360	M10	M12x55
<b>EJBF</b>	830	450	311	713	329	233	670	294	89,7	630	250	M10	M12x55
<b>EJBG</b>	833	613	319	714	494	233	670	450	124	630	405	M10	M12x55
<b>EJBH</b>	833	613	412	714	494	334	670	450	135,7	630	405	M10	M12x55

### Stainless steel 316L general specifications

<b>EJBA</b>	319	254	171	235	170	141	225	160	32			M8 x 30
<b>EJBB</b>	429	254	231	345	170	196	335	160	42			M8 x 30
<b>EJBC</b>	491	416	252	390	315	217	380	305	80			M10x 30
<b>EJBD</b>	536	496	251	430	390	216	420	380	99			M10x 30
<b>EJBE</b>	601	546	266	495	440	221	485	430	144			M12x 40
<b>EJBF</b>	846	461	311	735	350	266	725	340	180			M12x 40
<b>EJBG</b>	836	616	308	725	505	253	715	495	281			M12x50
<b>EJBH</b>	836	616	403	725	505	348	715	495	309			M12x50

**Note: Minor changes in these dimensions can be found due to small tolerances.**